

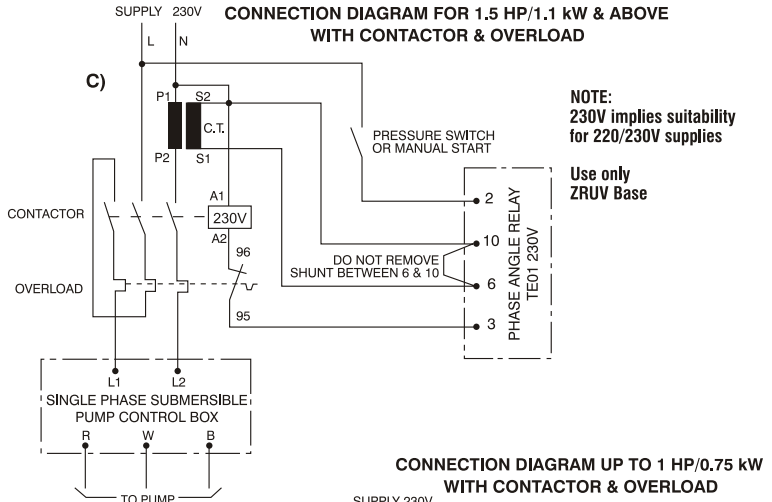
HEAD OFFICE

P.O. Box 19287, Primrose, 1416.

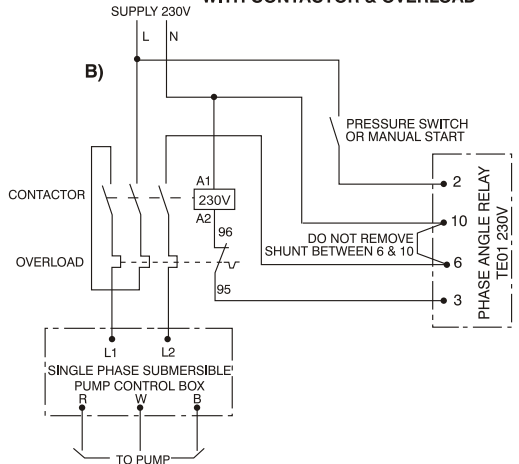
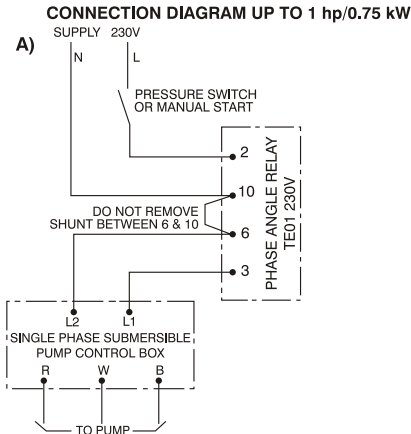
8 Nguni Drive, Longmeadow West, Edenvale

Tel.: (010) 202-5300 Tel Sales: (010) 202-3400 Fax: 087 807 5441 Fax Sales: 087 807 5431

e.mail: accounts@acdc.co.za website: www.acdc.co.za



CONNECTION DIAGRAM UP TO 1 HP/0.75 kW WITH CONTACTOR & OVERLOAD



INSTRUCTIONS FOR PHASE ANGLE RELAY TE01 230V INSTALLATION

1. This device is intended for use with single phase (230V) borehole and similar pumps and should be mounted within a suitable electrical enclosure and connected by a qualified electrician in accordance with the relevant drawing above. Connect pressure/start switches only where shown.
2. One white shunt, supplied loose with the unit, must be fitted at all times to the recommended plug-in base, ZRUV.
3. For all motors 1½ HP/1 kW and larger, a current transformer (CT) must be installed and is available at an extra charge. The C.T. should be selected from the ordering chart below.

HP	1/3 - 3/4	1 ½	2	3
kW	D.37 - 0,55	1,1	1,5	2,2
SHUNT	WHITE			
C.T. Part No.		PW 155	PW 205	PW 255

For larger pump sizes, select a C.T. with 5A secondary to be the next size larger than the motor FLC, or consult your nearest AC/DC Dynamics Branch.

SETTINGS

1. Gently turn the KILOWATT ADJ. knob to its low setting. With sufficient water supply in the borehole, run the pump and turn the knob clockwise until the light is at its brightest. To check, close all discharge valves or taps and the pump should switch off. If not, slightly increase the setting (turn towards right).
2. Set the TIMER for the time you want the pump to restart after the borehole runs dry.
3. Wait and verify that the pump stops when the borehole runs dry.
4. After setting up, remove the adjustment spindle to prevent tampering.