

HEAD OFFICE

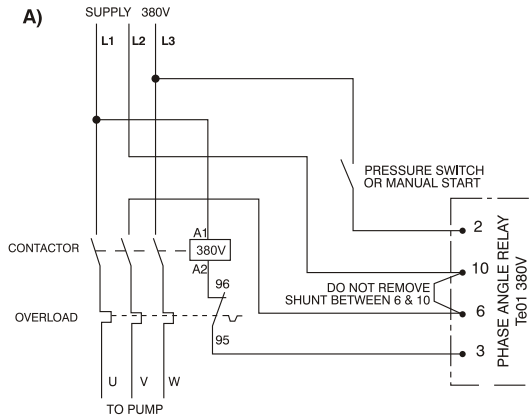
P.O. Box 19287, Primrose, 1416.

8 Nguni Drive, Longmeadow West, Edenvale

Tel.: (010) 202-5300 Tel Sales: (010) 202-3400 Fax: 087 807 5441 Fax Sales: 087 807 5431

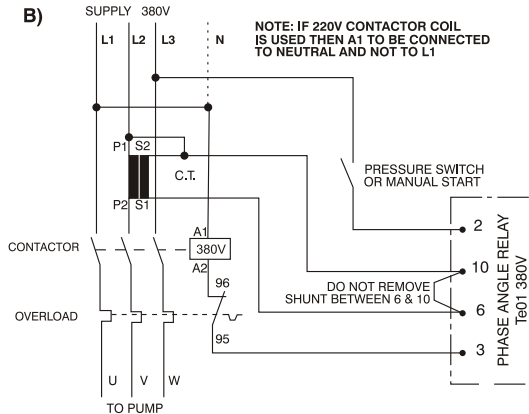
e.mail: accounts@acdc.co.za website: www.acdc.co.za

CONNECTION DIAGRAM UP TO 7.5 HP/5.5kW



Use only ZRUV Base

CONNECTION DIAGRAM FOR 10 HP/7.5kW & ABOVE



INSTRUCTIONS FOR PHASE ANGLE RELAY TE01 400V INSTALLATION

- This device is intended for use with three phase (380V) borehole and similar pumps and should be mounted within a suitable electrical enclosure and connected by a qualified electrician in accordance with the relevant drawing above, connect pressure/start switches only where shown.
- Either a red or white shunt, supplied loose with the unit, must be fitted at all times to the recommended plug-in base, ZRUV.
- For all motors 10 HP/7.5kW and larger, a current transformer (CT) must be installed and is available at an extra charge. The C.T. should be selected from the ordering chart below.

HP	1/2 - 1 1/2	2 - 7 1/2	10	15	20	25	30	40	50	60	75
KW	0,37 - 1,1	1,5 - 5,5	7,5	11	15	18,5	22	30	37	45	55
SHUNT	Red	White	White								
C.T. Part No.	-	-	PW205	PW305	PW405	MR1505	MR1755	MR11005	MR11505		

For larger pump sizes, select a C.T. with 5A secondary to be the next size larger than the motor FLC, or consult your nearest AC/DC Dynamics Branch.

SETTINGS

- Turn the KILOWATT ADJ. knob to its lowest setting. With sufficient water supply in the borehole, start the pump. If the contactor drops out after a few seconds at the lowest setting, change the following connections:
 - Where a C.T. is fitted - reverse C.T. connections S1 & S2.
 - Where no C.T. is fitted - reverse L1 & L2 on the incoming supply (at the isolator or circuit breaker - not at the contactor). Check direction of pump.
- With the pump running, turn the knob clockwise until the light is at its brightest. To check kW setting, close all discharge valves or traps and the pump should switch off. If it does not slightly increase the setting (turn towards high)
- Set the TIMER for the time you want the pump to restart after the borehole runs dry.
- Wait and verify that the pump stops when the borehole runs dry.
- After setting up, remove the adjustment spindle to prevent tampering.